



Controls	MIN	MAX	M C X	
Motor 24 V DC	46	450	300	8,0

System colours
white

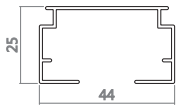
i Includes vertical blind with rectangular rail in white colour, without fabric/slats PVC, with clip type brackets and runners, controlled by motor 0,5 A / 24 V DC. Slide speed is 80 mm/s with tolerance ± 5%. PVC slats are delivered without chain. Bottom metal chain is available on order with surcharge.

! Motor controls - see additional accessories section. Armed rail consists of: slat hanger, slat weight, bottom chain.

! Slight differences between shades and fabric's patterns and blind components are permitted.



Rail dimensions



rectangular rail

Runners



type H - replaceable hook

Brackets



clip bracket (standard)



clip bracket for suspended ceiling

Adjustable slat height

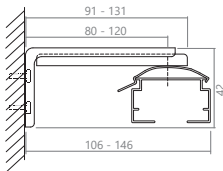


It is possible to manually adjust the height of each slat. The fabric is slidden into special slat hanger and fixed with the rod, surplus may be cut. Slat hanger available in white colour only. Option offered with surcharge.

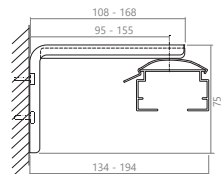
Adjustable extension



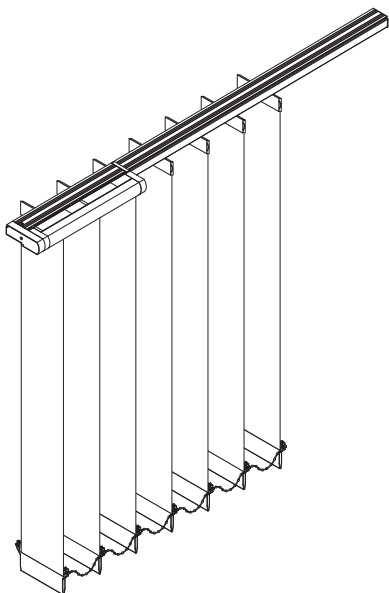
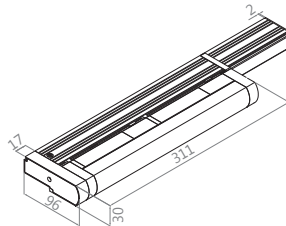
80/120



95/155



Motor dimensions



How to calculate the weight of package?

! To estimate whether a given configuration will not exceed the maximum load for a choosed control, sum the weight of the fabric and the slat weights.

Surface [m2] * Fabric weight [kg / m2] * 1.15	
127 mm	+
Number of slats * 0,040 kg	89 mm
Number of slats * 0,032 kg	