

Boundary dimensions for fabric with thickness below 0,35 mm					Boundary dimensions for fabric with thickness over 0,35 mm					System colours				
Controls		MIN	MAX	M A X	m ²	Controls		MIN	MAX	M A X	m ²	white	black	grey
Chain		40	210	250	4,0	Chain		40	210	180	3,5			

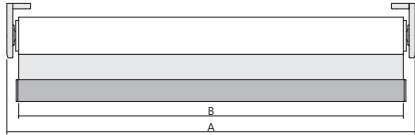
i Price in the table includes blind with: installation profile, plastic chain control, bottom bar type D3 or D4.

+ metal chain

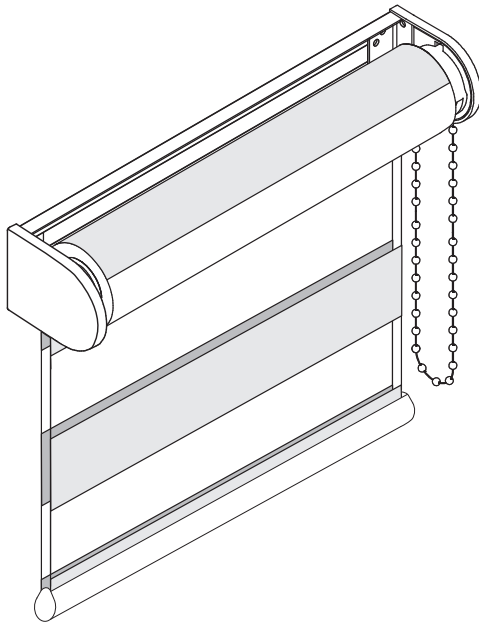
SAMPLE CALCULATION:
 dimensions: 98 x 201 cm (width x height) fabric group DL2
 colour grey, metal chain

standard blind 100 x 210 cm group DL2	118,0 EUR
colour grey	83,3 EUR
metal chain	4,9 EUR
TOTAL:	206,2 EUR

System dimensions



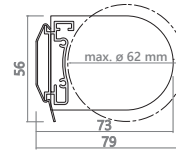
A - system width
 B - fabric width
 A - B = 4,0 cm (2,3 + 1,7)



Installation profile



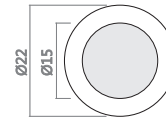
Profile dimensions



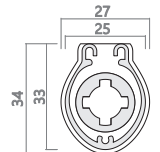
Profile brackets



Bottom bar



457 g/m (alu.)
 type D3
 (standard)



767 g/m (alu.)
 type D4