


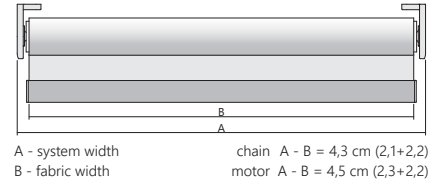
Boundary dimensions for fabric with thickness below 0,35 mm					Boundary dimensions for fabric with thickness over 0,35 mm					System colours			
Controls	MIN	MAX	M X X	m ²	Controls	MIN	MAX	M X X	m ²	(P)			
Chain	40	200	250	4,8	Chain	40	200	230	4,0	white	black	grey	anthracite
Motor DC ∅28/∅35*	41	180/200*	260/250*	4,5	Motor DC ∅28/∅35*	41	170/200*	240/230*	4,0	white		anodized	
Tube ∅35 > 140 cm width					Tube ∅35 > 120 cm width					(U)		stainless steel	

* only Coulisse CM-03


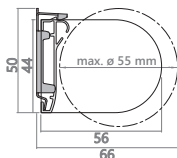
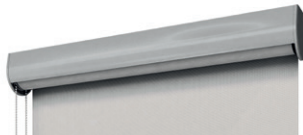
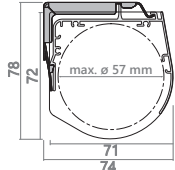
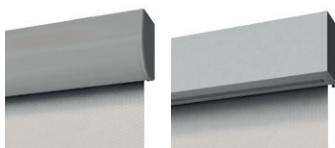
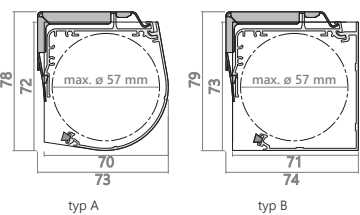
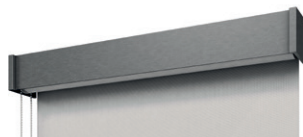
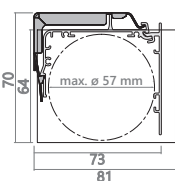
 Price in the table includes blind with plastic chain control, installation profile in one of colours (P) with bottom bar type D3 or D4, mechanism and bracket covers are plastic.

 metal chain

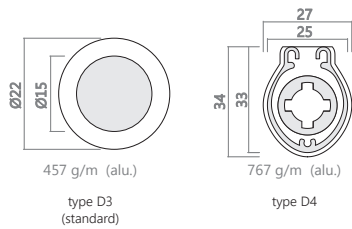
System dimensions



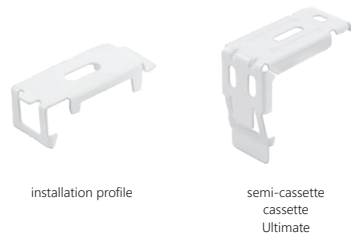
Versions

standard		Semi-cassette		Cassette		Ultimate	
Installation profile	Dimensions	Installation profile	Dimensions	Installation profile	Dimensions	Installation profile	Dimensions
							
Roller blind is delivered with brackets attached to the installation profile. Installation profile is available only in colours (P).		Roller blind is delivered in semi-cassette that partly covers tube with fabric. Semi-cassette is available only in colours (P). Version offered with surcharge.		Roller blind is delivered in cassette that completely covers tube with fabric. Cassette is available only in colours (K). Version offered with surcharge.		Roller blind is equipped with decoration valance and cheeks, made of stainless steel. Ultimate version is available only in colours (U). Version offered with surcharge.	

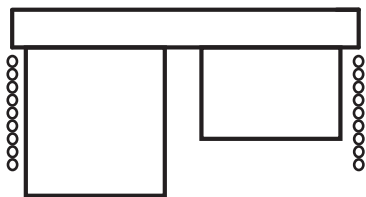
Bottom bar



Brackets



Duo-Link



Total price is sum of two individual blinds. Option is not available with installation profile.

Motors DC / Li-ion

Type	T [Nm]	rpm	wt [kg]	min. width	power supply
Torro AM25	1,2	30	7,5	41	0,3 A 24 V
** Torro AM25 RF	1,2	30	7,5	53	1,2 A 24 V
** Torro AM25EB RF	1,2	30	7,5	53	1,0 A 8,4 V
*** Coulisse CM-01	0,2	36	1,3	45	1,0 A 5 V
*** Coulisse CM-03	1,1	28	5,5	55	1,8 A 5 V

* Power supply options - see „Additional accessories“.

** Motor with built-in power supply.

*** Motor not available in cassette version.