

Boundary dimensions for fabrics with thickness below 0,35 mm					Boundary dimensions for fabric with thickness over 0,35 mm					System colours		
Controls	MIN	MAX	M O X	m ²	Controls	MIN	MAX	M O X	m ²			
Chain	30	150	210	2,0	Chain	30	150	150	2,0	white	brown	oak
Motor DC	40	150	210	2,0	Motor DC	40	150	150	2,0			

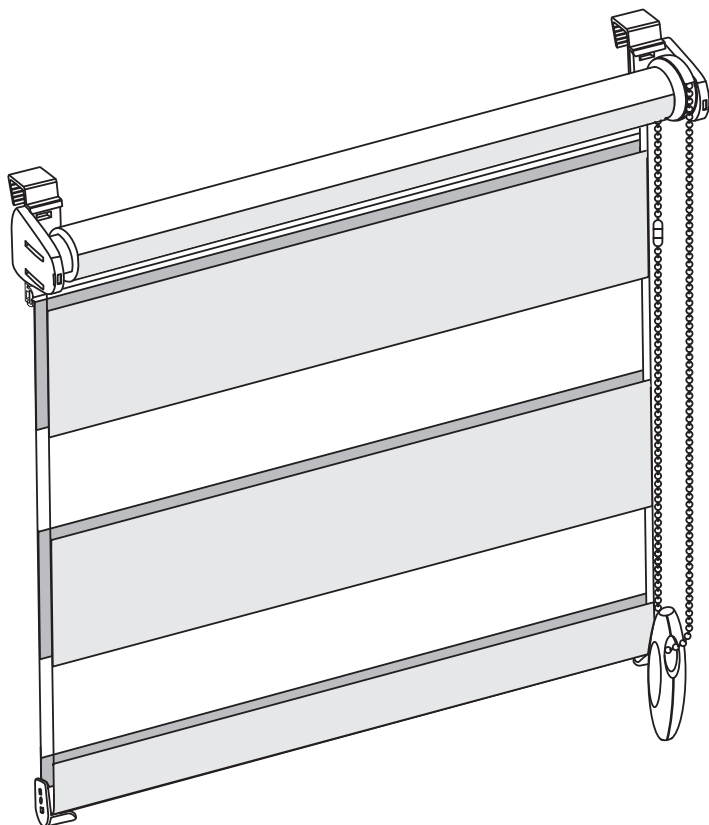
Price in the table includes blind with: plastic chain control with a chain weight in a non drilling installation option.

Motors Li-ion

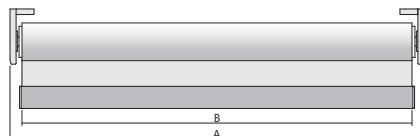
Type	T [Nm]	rpm	wt [kg]	min. width	power supply
Torro AM15 RF	0,3	35	2,8	40	2 A 5 V

* Power supply options - see „Additional accessories“.

metal chain - silver (piece)
side guidance - nylon wire

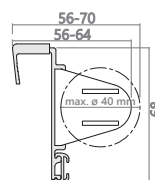


System dimensions

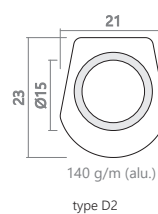


A - system width
B - fabric width
A - B = 3,0 cm

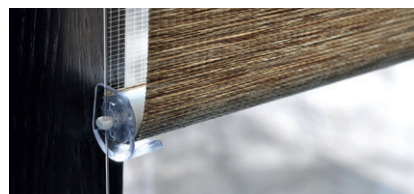
Brackets



Bottom bar

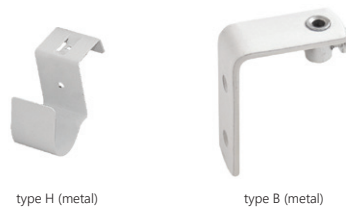


Side guidance



Blind equipped with a nylon wire.
Option offered with surcharge.

Tension brackets



type H (metal)

type B (metal)